



UNDERCOUNTER DISHWASHER

MODEL UC-21

BLAKESLEE

I.R.S.[†] INTEGRATED RECIRCULATING SYSTEM DESIGN

- Simplicity
- Dependability
- Superior Performance
- Built-In All Stainless Steel Recirculating System
- Stainless Steel Impeller
- Capacity: 30 Racks Per Hour

DESIGN: Dishwasher shall be an undercounter type with spring counterbalanced door. Dishwasher shall be equipped with electrical timing device on which the push of a control button will start an automatic cycle consisting of a timed wash of 105 seconds and a 12 second final rinse. Fill shall be through strainer and electrically operated solenoid valve. Dishwasher shall have interlock safety switch to interrupt operation when door is opened. Dishwasher shall have easily removable stainless steel front panel. Dishwasher shall be listed by National Sanitation Foundation and Underwriters Laboratories.

MODEL DESIGNATION:

- UC-21-A Electric 1.5KW Tank Heat
- UC-21-B 9KW Built-In Booster
- UC-21-C Low Temp Chemical with 1.5KW Tank Heat
- UC-21-T 6" Taller Than Standard UC-21
- UC-21-XT 12" Taller Than Standard UC-21
- UC-21-

DIMENSIONS: See drawings on back.

CONSTRUCTION: Tank and hood shall be constructed of 14 gauge and 16 gauge stainless steel with stainless steel adjustable legs.

ELECTRIC CONTROL PANEL: Motor shall have a separate U.L. approved magnetic starter with overload and low voltage protection, all interwired to machine mounted controls for one common electrical connection to the machine. Controls shall be an integral part of machine.

MOTOR: Motor shall be 1 H.P. 1725 r.p.m.

RECIRCULATING SYSTEM: Wash shall be accomplished with recirculated water spray of 180 gallons (680 liters) per minute.

[†]Patent applied for.



WASH: Upper and lower wash sprays shall be revolving type with the wash and final rinse arms easily removable without tools for cleaning. Final rinse shall uniformly spray not less than 1 gallon per rack in conformance with National Sanitation Foundation standards. Dishwasher shall be designed with outside water inlet, vacuum breaker, and line strainer to comply with A.S.S.E. plumbing codes.

TANK HEATING: Tank shall be heated by -

Model A and C: a 1.5KW electric heating element with thermostatic temperature control for operation on _____ volt _____ cycle _____ phase.

Model B: a 9KW built-in stainless steel combination booster and tank heater designed for operation on _____ volt _____ cycle _____ phase.

STANDARD EQUIPMENT: Shall consist of 1 dish rack and 1 combination rack for cups, bowls, glasses and silver; dial type pressure gauge, wash and final rinse thermometers mounted on machine; door interlock safety switch; line strainer and vacuum breaker on final rinse and tank fill line; and machine mounted electric controls.

AVAILABLE EXTRA EQUIPMENT: Additional dish and combination racks; pumped drain; autofill; thermal cycle extension; flanged feet; and mechanical door latch.

Specify Blakeslee

UNDERCOUNTER DISHWASHER

MODEL UC-21

SPECIFICATIONS

Electrical:

Volts	Phase	Load AMPS
220	1 (4 wire)	48.6
220	3 (5 wire)	27

LT Model

120	1 (3 wire)	30.5
-----	------------	------

Rack Sizes

Dish Rack	20" x 20"
Glass & Silver Rack	20" x 20"

Recirculating Capacity

Gallons per minute	180
--------------------	-----

Motor

Horsepower	1
------------	---

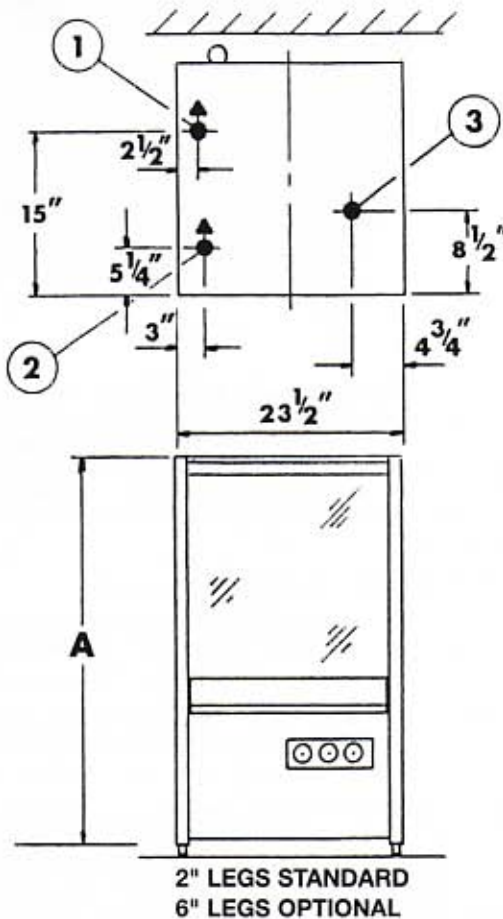
Water Requirements (100%)

Inlet Temperature	140°F
LT Inlet Temperature	120°F
Inlet Pressure	20 psi
Inlet Size	1/2" Hose
Inlet Flow	4.3 gpm
Drain Size (gravity)	1 1/2" OD
Water Consumption	21.6 gph
Tank Capacity	6.0 gal.

APPROXIMATE SHIPPING INFORMATION

MODEL	DIMENSIONS	WEIGHT	CUBE
UC-21 A, B, C	40" x 32" x 32"	300 lbs.	24.0 ft ³
UC-21-T	46" x 32" x 32"	330 lbs.	27.3 ft ³
UC-21-XT	52" x 32" x 32"	350 lbs.	31.0 ft ³

- ① HOT WATER CONNECTION (1/2" HOSE FITTING)
- ② 1" ELECTRICAL CONNECTION
- ③ 1 1/2" O.D. DRAIN



OUTSTANDING FEATURES

WASHING POWER: 180 gallons per minute

CAPACITY: 30 racks per hour (100%). 750 dishes per hour (100%).

OPERATING CYCLE: Wash time 105 seconds. Dwell time 5 seconds. Rinse time 12 seconds. Total cycle 120 seconds.

CONTROLS: Located on front of machine free of rising steam and heat.

SUPERIOR WASH AND RINSE: Top and bottom spray arms with large non-clogging nozzles for most complete cleaning action.

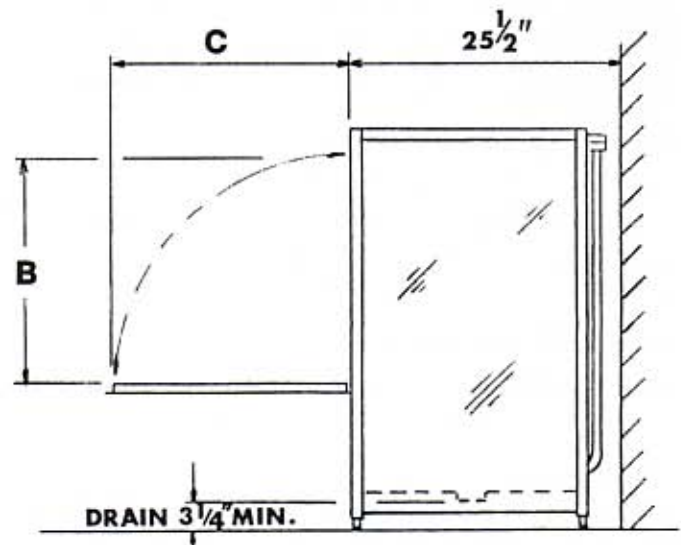
SELF SEALING, NO GASKET DOOR: Door has stainless steel labyrinth type seal which never needs replacement.

9KW BUILT-IN STAINLESS STEEL COMBINATION BOOSTER AND TANK HEATER: Design provides maximum protection for the extended life of the heater element.

MOTOR: 1 HP, totally enclosed fan cooled motor and 180 GPM high capacity recirculating system assure superior soil removal.

MODEL	A	B	C
UC-21	33 1/4"	12"	15 1/2"
UC-21T	39 1/4"	18"	21 1/2"
UC-21XT	45 1/4"	24"	27 1/2"

DIM. FROM FLOOR	2" LEG	6" LEG
①	4"	8"
②	4 1/2"	8 1/2"



All Blakeslee dishwashers are designed to be in compliance with NSF, UL, CSA, and ASSE standards.

SPECIFICATIONS SUBJECT TO CHANGE WITHOUT NOTICE.



BLAKESLEE
1844 South Laramie Avenue
Chicago, IL 60650
Phone: (708) 656-0660
FAX: (708) 656-0017

BLAKESLEE
66 Crockford Boulevard
Scarborough, Ontario, Canada M1R 3C3
Phone: (416) 751-2625
FAX: (416) 751-8539

Printed in U.S.A.
7-96-5M TR