



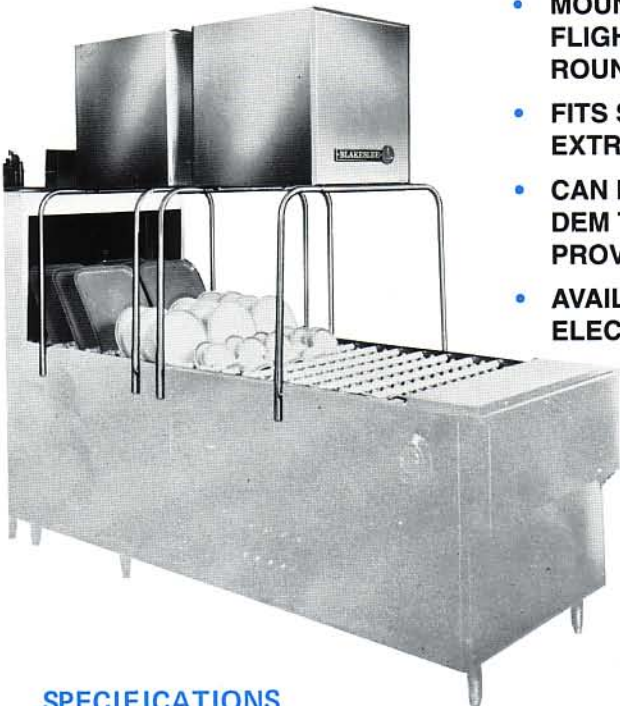
ECONO-BLOWER

Jet Air Stripping Action

BLAKESLEE

THE MOST EFFICIENT AND ECONOMICAL AID TO DRYING SINCE THE TOWEL.

- AIMS AIR DIRECTLY ONTO TRAYS, DISHES, ETC.
- NO VENTING REQUIRED.
- REDUCES WATER SPOTTING.
- ADJUSTABLE HEIGHT PERMITS OPTIMUM USE OF AIR FLOW. Can be lowered to within 1 inch (20mm) of tallest ware to be washed.
- QUIET, EFFICIENT AIR MOVEMENT—Cage-type blower wheel and neoprene motor mounts minimize noise.



- MOUNTS TO EITHER FLIGHT OR FLIGHT-A-ROUND SECTIONS.
- FITS STANDARD AND EXTRA-WIDE MACHINES.
- CAN BE USED IN TANDEM TO FURTHER IMPROVE DRYING TIME.
- AVAILABLE WITH 9 K.W. ELECTRIC HEATER.



SPECIFICATIONS

Capacity----- 2000 cfm
(56 m³/min.)

Construction

Housing
16 ga type 394 stainless steel

Brackets
12 ga type 394 stainless steel

Tubing
1/2" (27/32) O.D. pipe schedule 49 stainless steel

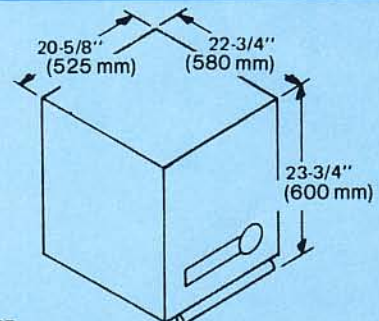
Blower Housing
Heavy ga steel

Motor*

Direct drive, requires lubrication only once a year

1 H.P., 115V, 60Hz. 1 phase or
1 H.P., 230V, 60Hz. 1 phase

*Can be wired to 208-230V, 1 or 3 phase and 440-480V, 3 phase dishwasher.



SPECIFICATIONS SUBJECT TO CHANGE WITHOUT NOTICE.



BLAKESLEE

1844 South Laramie Avenue
Chicago, IL 60650
Phone: (708) 656-0660
FAX: (708) 656-0017

BLAKESLEE

66 Crockford Boulevard
Scarborough, Ontario, Canada M1R 3C3
Phone: (416) 751-2625
FAX: (416) 751-8539

EB1B

Printed in U.S.A.
7-94-5M TR